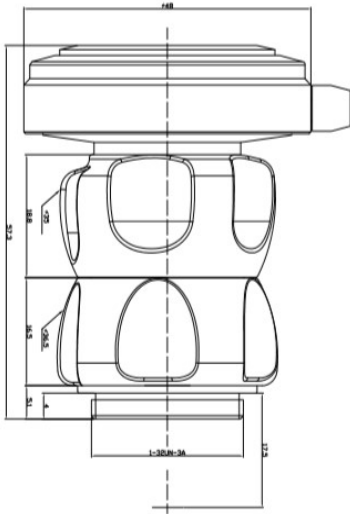


Continuous Zoom F16-31mm(4K)



Focal length

16-31mm

Format

1/2"

1/3"

Mount

C

Resolution

Resolution pixels

3840×2160 (HD 4K)

Resolution Center/Edge

Center: 300 LP/mm

Edge: 200 LP/mm

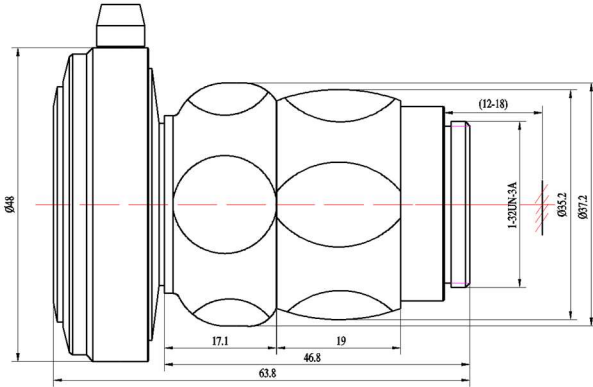
Dimension

Φ48×L57.3

Weight

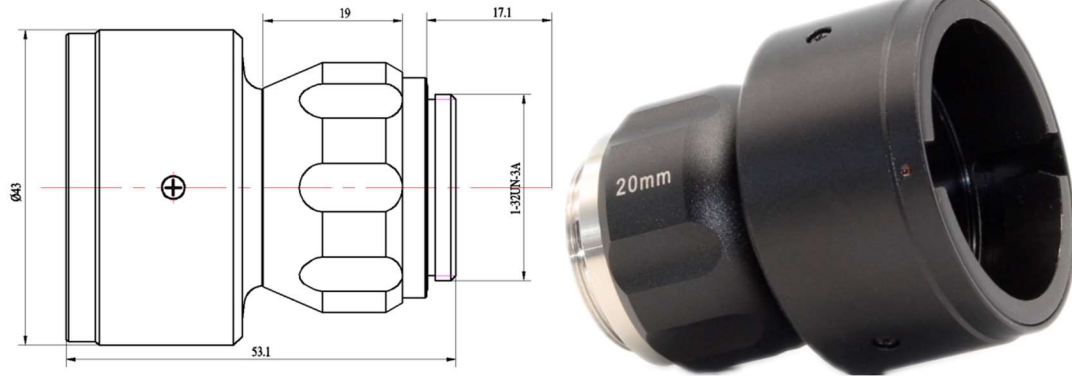
114g

F=18-35mm



Focal length		18-35mm	
Format		1/2"	1/3"
Mount		C/CS	
Resolution	Resolution pixels	1280×1024	
	Resolution Center/Edge	Center: 150 lp/mm Edge: 100 lp/mm	
Dimension		Φ48×L	
Weight:		120g	

Coupler for Pentax



Focal length

14mm、16mm、18mm、20mm、22mm、25mm、28mm、32mm、35mm

Format

1/2"

1/3"

Mount

C/CS

Resolution

Resolution pixels

1280×1024

Resolution
Center/Edge

Center: 150 line pairs/mm
Edge: 100 line pairs/mm

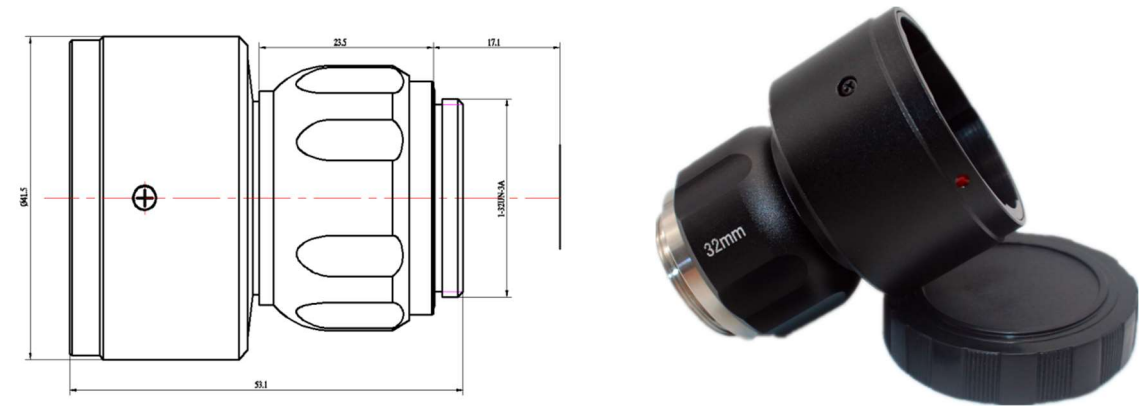
Dimension

Φ53.1×L43

Weight

103g

Coupler for Olympus



Focal length

14mm、16mm、18mm、20mm、22mm、25mm、28mm、32mm、35mm

Format

1/2"

1/3"

Mount

C/CS

Resolution

Resolution pixels

1280×1024

Resolution
Center/Edge

Center: 150 line pairs/mm
Edge: 100 line pairs/mm

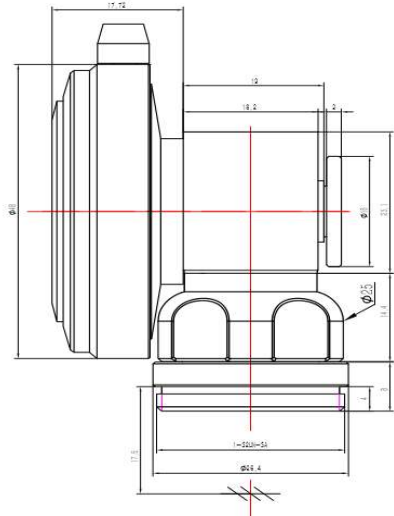
Dimension

Φ53.1×L41.5

Weight

103g

90 Pendular Coupler



Focal length

18mm、22mm

Format

1/2"

1/3"

Mount

C/CS

Weight

84g

Resolution

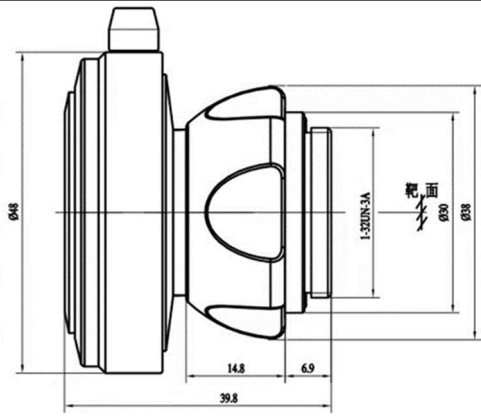
Resolution pixels

1280×1024

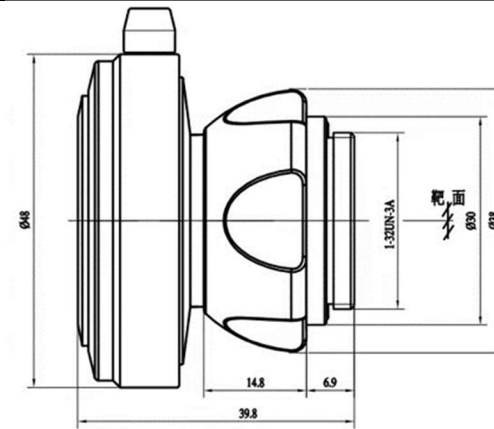
Resolution:
Center/Edge

Center: 200 line pairs / mm
Edge: 150 line pairs / mm

LEOA18-4K, f18mm



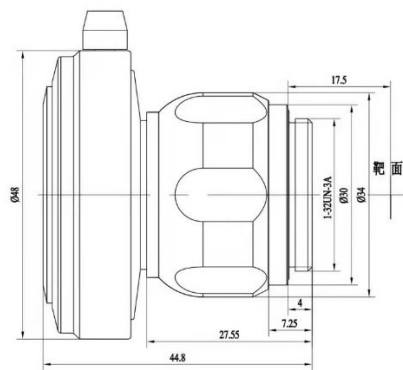
LEOA20-4K, f20mm



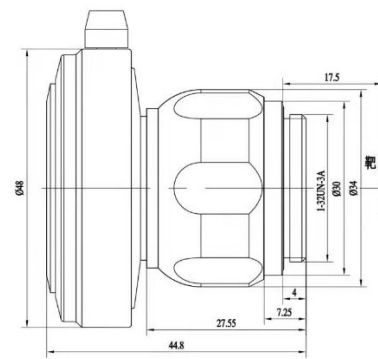
Focal length		18mm	
Format		1/2"	1/3"
Mount		C/CS	
Resolution	Resolution pixels	3840×2160	
	Resolution:Center/Edge	Center:300 line pairs/mm, Edge: 200 line pairs/mm	
Dimension		Φ48×39.8	
Weight		85g	

Focal length		20mm	
Format		1/2"	1/3"
Mount		C/CS	
Resolution	Resolution pixels	3840×2160	
	Resolution: Center/Edge	Center:300 line pairs/mm, Edge: 200 line pairs/mm	
Dimension		Φ48×L39.8	
Weight		85g	

LEOA22-4K, f22mm



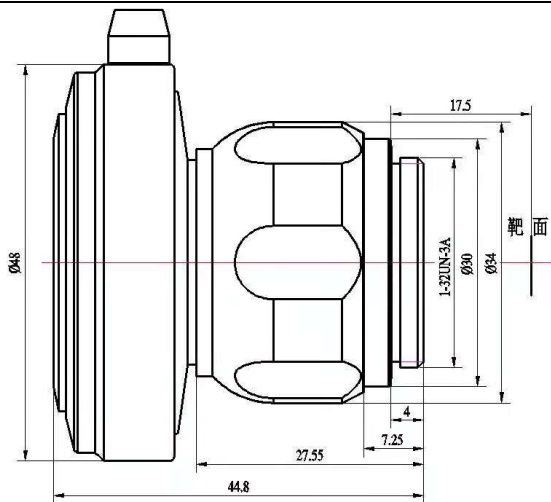
LEOA25-4K, f25mm



Focal length		22mm	
Format		1/2"	1/3"
Mount		C/CS	
Resolution	Resolution pixels	3840×2160	
	Resolution: Center/Edge	Center:300 line pairs/mm, Edge: 200 line pairs/mm	
Dimension		Φ48×L44.8	
Weight		92g	

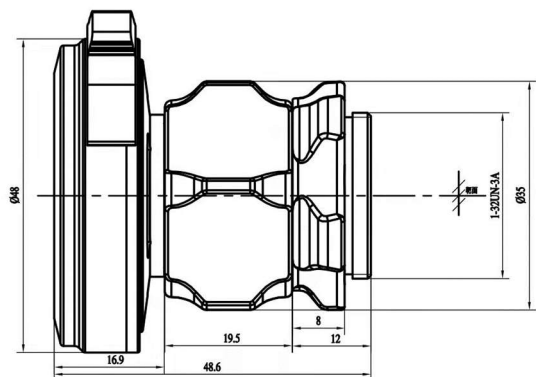
Focal length		25mm	
Format		1/2"	1/3"
Mount		C/CS	
Resolution	Resolution pixels	3840×2160	
	Resolution: Center/Edge	Center:300 line pairs/mm, Edge: 200 line pairs/mm	
Dimension		Φ48×L44.8	
Weight		92g	

LEOA28-4K, f28mm



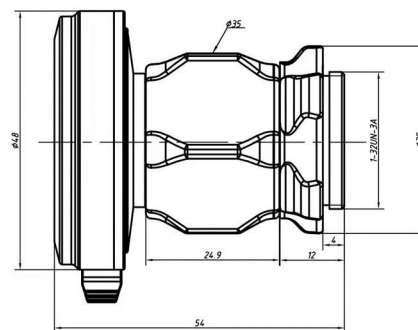
Focal length		28mm	
Format		1/2"	1/3"
Mount		C	
Resolution	Resolution pixels	3840×2160	
	Resolution: Center/Edge	Center: 250 pairs / mm, Edge: 160 pairs / mm	
Dimension		Φ48×L44.8	
Weight		92g	

LEOA32-4K, f32mm



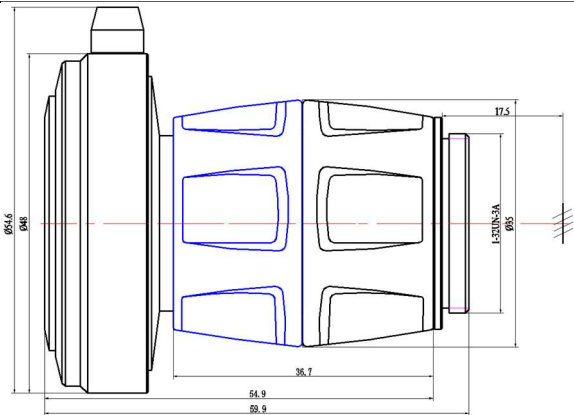
Focal length		32mm	
Format		1/2"	1/3"
Mount		C/CS	
Resolution	Resolution pixels	3840×2160	
	Resolution: Center/Edge	Center:300 line pairs/mm, Edge: 200 line pairs/mm	
Dimension		Φ48×L48.6	
Weight		87g	

LEOA35-4K, f35mm



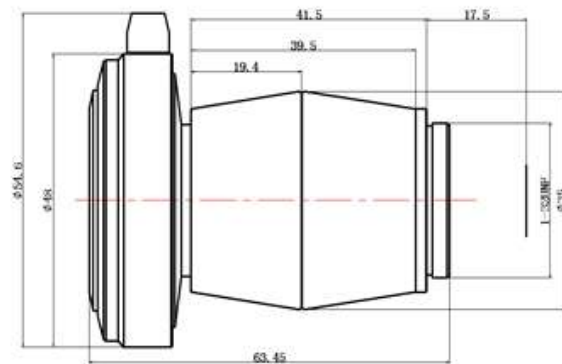
Focal length		35mm	
Format		1/2"	1/3"
Mount		C/CS	
Resolution	Resolution pixels	3840×2160	
	Resolution: Center/Edge	Center:300 line pairs/mm, Edge: 200 line pairs/mm	
Dimension		Φ48×L54	
Weight		94g	

Continuous zoom f15-30mm (4K)



Focal length		15-30mm	
Format		1/2"	1/3"
Mount		C	
Resolution	Resolution pixels	3840×2160	
	Resolution: Center/Edge	Center:250 line pairs/mm, Edge: 160 line pairs/mm	
Dimension		Φ48×L59.9	
Weight		113g	

Continuous zoom f20-35mm (4K)



Focal length		20-35mm	
Format		1/2"	1/3"
Mount		C	
Resolution	Resolution pixels	3840×2160	
	Resolution: Center/Edge	Center: 250 line pairs / mm, Edge: 160 line pairs / mm	
Dimension		Φ48×L63.5	
Weight		134g	